



C&I Battery Rack



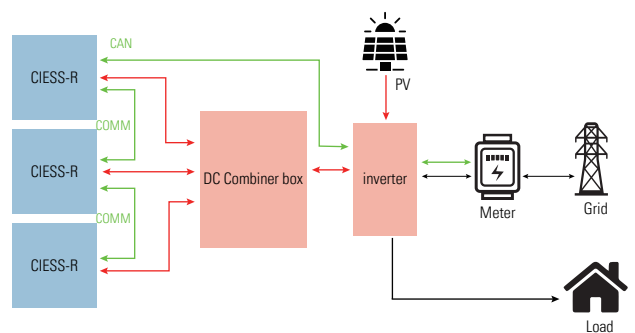
FEATURES

- Easy to install and deploy with large space utilization;
- Unique modular design & flexible function configuration;
- Real time monitoring , remote maintenance and upgrades;
- Strong scalability, simple & convenient expansion on DC sides;

EXPANSION



Expansion in DC side



Topology

SPECIFICATION

System Parameter								
System Model	CIESS25-R	CIESS30-R	CIESS35-R	CIESS40-R	CIESS45-R	CIESS50-R	CIESS55-R	CIESS60-R
Number of battery packs	5	6	7	8	9	10	11	12
Rated voltage	256V	307.2V	358.4V	409.6V	460.8V	512V	563.2V	614.4V
Voltage range	224~284V	268.8~340.8V	313.6~397.6V	371.2~454.4V	417.6~511.2V	464~568V	510.4~624.8V	556.8~681.6V
Rated energy	25kWh	30kWh	35kWh	40kWh	45kWh	50kWh	55kWh	60kWh
Usable energy (90%DOD)	22.5kWh	27kWh	31.5kWh	36kWh	40.5kWh	45kWh	49.5kWh	54kWh
Max.continuous charging/ discharging current	100A/100A	100A/100A	100A/100A	100A/100A	100A/100A	100A/100A	100A/100A	100A/100A
Weight	311kg	356kg	401kg	446kg	515kg	560kg	605kg	650kg
Dimension (W*D*H)	605*588*1470mm				605*588*2070mm			
Cycle life	6000times (25°C, 0.5C/0.5C, 90%DOD, EOL70%)							
Communication	CAN/RS485/WiFi/ETH							
Expansion	Support in parallel up to 3 clusters							
Enclosure protection rating	IP20							
Cooling	Natural cooling							
ambient temperature	Charge:0-50°C							
	Discharge:-20-50°C							
Humidity	10%~95%RH							
Altitude	<2000m							
Short circuit protection	Yes							
Over circuit protection	Yes							
Over charge protection	Yes							
Over discharge protection	Yes							
Over voltage protection	Yes							
Under voltage protection	Yes							
Over temperature protection	Yes							
Certifications	UN38.3/CE/IEC62619							
Module Parameter								
Module Model	B051100S02							
Module Rated voltage	51.2V							
Module Energy	5.12kWh							
Module Dimension (W*D*H)	443*410*135mm							
Module Weight	45kg							